



SEECAMP
FIREARMS

L.W. Seecamp Co.
28 Hudson Drive
Southwick, MA 01077
P: 413-569-4650 F: 413-284-4178
Email: info@seecamp.com

Do Not Discard This Manual.

IMPORTANT: Read this brochure. For information on magazine safety function, study the NOTE after the UNLOADING description. **DO NOT** assume anything. Read completely.

Additionally our .32 & .380 ACP firearms are HOLLOW POINT ONLY.

Use recommended hollow point ammo only.

Use of regular FMJ or ball ammo has the potential to cause damage or failure to feed/cycling issues.

For an up to date listing of our recommended ammunition please visit our website at seecamp.com.

Table of contents

Company History	1
Care and Maintenance.....	7
Warnings	10
Ammo Recommendations.....	12
Why no Sights.....	13
Loading	15
Unloading.....	17
Field Stripping	19
Reassembly	21
Magazine Disassembly	23
Draw Bar Spring Replacement	25
Parts List	26
Specifications	27

Thank you for buying our product. The handguns we make are in keeping with our company tradition of leading the way in designing and promoting DA pistols having the maximum power to size ratio, and building quality guns we ourselves would carry were they made by someone else. Our LWS pistols, though often imitated, still set the standard as for the patented work we pioneered back in the late 1970s when we were doing custom gunsmithing.

L. W. Seecamp Co., Inc. was founded in 1973 as a family business specializing in Ludwig's patented (#3722358) double action conversion of the venerable 1911 semi-auto pistol (Colt .45). This conversion, done during a period when the single-action versus double-action controversy was at its peak, resulted in the first commercially available DA .45 autoloaders anywhere in the world. Nearly 2,000 such DA conversions were done from the early 70s to the early 80s. Ludwig had become a firm believer in the value of DA after a Walther P-38 saved his life in WWII. That incident, which left him with a cheek-long scar and some missing teeth from a bullet wound, also convinced him point shooting rather than sight use is the reality in close range combat. Having been a fan of the 1911 but being also an advocate of DA carry, commercial conversions were a natural outgrowth of the Colt 45 that Ludwig had converted to DA for his own personal protection.

In 1979 Seecamp Co. introduced as part of its gunsmithing package the telescoping recoil system that has become the predominant spring system used by modern short-slide short-recoil autoloaders. This system is the subject matter of patent #4201113 issued to Ludwig's son and Seecamp Company co-founder Lueder (Larry) Seecamp. In the September/October 1979 issue of American Handgunner in an article entitled "The Rolls Royce of Bobcat .45's" Mason Williams said: "This is such a major development in the field of (miniaturization of) automatic pistols that it could easily be considered the most significant development in a hundred years in this field." While the patent was still active, the system was used by Glock, Colt, Kahr, Cylinder and Slide, Para-Ordinance and Lasermax (for use in the laser units for the mini-Glocks). After the expiration of the patent in 1998, other manufacturers such as Kimber, Taurus, IM Metal, Springfield Armory, ect., quickly adopted the system for use

in their short slide autos.

By the late 1970s a number of DA .45s, including the excellent Browning BDA (later SIG), had appeared on the market. Gunsmithing was thus abandoned for manufacture. Introduced in 1981 was the LWS .25 to fill a niche that had fallen into neglect. After the gun control act of 1968, small quality pistols were hard to find. Moreover, the brilliant concept of double action only had lain dormant for over a quarter century and was due for a revival. All DA only pistols, more properly referred to as trigger cocking only pistols, are the grandkids of either the Czech CZ36/CZ45 design if they have hammers or the French LeFrancais design if they are striker fired. The LWS is a descendant of the Czech line. The Glocks and the Keltecs are descendants of the French line. Credit should be given where credit is due.

The LWS .25 helped revive DA only and small pistol manufacture. It was the world's first stainless steel DA only pistol, and it was also the first DA only hammer fired semi-auto made in the USA. This design was covered by U.S. patents 4,428,138 and D269,896 issued to Ludwig (Louis) Seecamp. The LWS design has remained essentially unchanged since 1981 except for caliber – the numbers after LWS designating the caliber upgrade.

Prior to the introduction of the LWS .25, firearms manuals did not address the issue of self-defense. It was pretended in the manufacturers' instruction manuals, no doubt on the advice of high priced lawyers, that every pistol was a target pistol. Extensive sections of our first manual were reprinted in gun magazines because a manufacturer officially acknowledging self-protection as a legitimate reason for owning a firearm was a completely novel concept at the time. It was almost as shocking as bringing out a pistol without sights.

On the matter of sights: We do not put sights on the LWS because we do not seek to encourage firearms misuse or suggest a non-existent capability. The LWS is designated strictly for self-defense. At very best, the sight radius on an LWS would be around four inches and the sights would have to be kept small to keep the gun snag free, which is hardly adequate for long distance shooting. Moreover, half the day is made up of night and anyone who

has watched even a single episode of Cops on TV will see that almost all the scenes are filmed when it's dark. Crimes usually happen under bad lighting conditions at short range. Assaults and robberies are overwhelmingly short range affairs. If you can't hit the target without pointing and shooting, be sure to have a good lawyer lined up to explain why your life was threatened at a distance where you needed sights. Sights are an offensive tool and the LWS is not an offensive weapon. If you intend to chase bank robbers, you need something bigger.

All other things being equal, the bigger the gun the less effective it is for close range self-defensive use. The larger the pistol, the greater is the effort required to hide it from public view. The greater the effort required hiding it, the less accessible it becomes. Small pistols allow easy access without having to make a threatening display.

Around 1985 the LWS .25 was discontinued and the LWS .32 was introduced. The larger pistol remained exactly the same size, which at the time was considered an amazing feat. The .32 caliber had at the time of the introduction of the LWS .32 been relegated to the dustbin of firearms history. Today .32 calibers are thriving in very great part because of the LWS .32 and its clones – and the demonstration that such a market existed.

2003 saw the introduction of the LWS .380 to commerce, which is identical in size and weight to the LWS .25 or the LWS .32. As to the benefits of the larger caliber: There are stopping power arguments about bullet speed but no one argues about hole size. A bullet that is less than .380 size may or may not expand to .380 size. A bullet that is already a .380 doesn't shrink. While larger calibers are generally more effective, smaller calibers are easier to manage for recoil recovery time – the time it takes to control follow-up shots. It is therefore a shooter's choice as to whether the LWS .32 or the LWS .380 is the more effective weapon for them. (A 34 ounce bat works well for some hitters, but big bats only offer an advantage if they can be easily controlled. The rule of thumb is, the biggest bat you can easily control is the best bat for you.)

We try our very best to ensure all pistols leaving our shop look good and work well – those two things somehow seem to work together – but we can never get to know your gun as well as you can and we strongly recommend you test fire any gun you choose to carry as a defensive piece.

Every pistol that leaves here, whatever caliber, is proof tested. If a pistol that was functioning flawlessly develops problems, and the cause cannot be traced to ammunition, send the gun back to us for repair. Under no circumstances continue to fire or carry a gun that suddenly develops problems. We wouldn't think of continuing to drive a car that developed a problem hoping further driving would clear the problem up, and we should treat guns no differently.

In doing a function test, you are better off shooting 43 rounds from a box of ammo without a failure and loading the last 7 from the same box than you would be shooting 200 without failure and loading ammo from a different lot than was used in your 200 round test. For reasons that appear to be purely arbitrary, 200 rounds has become a magic number tossed about when discussions focus on reliability testing. Ignored is the fact that ammo lots can and do differ, and getting 200 rounds of failure-free performance from one lot of ammo does not guarantee the same results from a different lot. If ammunition production lots were totally identical, there would be no need for manufactures to use lot numbers from which to gather quality control information. The lot number is located on one of the inside flaps of the ammo box.

Visually inspecting your ammunition will give you a good clue as to its expected performance. The clue here is consistency. Are the rounds the same length? Does the mouth of the case, that part where the bullet is seated, look the same from one case to another? The rule of thumb here is that if the rounds look identical, they will work. If there is a perceived difference, the rounds in the majority will work. Some manufacturers only shoot sample guns. We shoot each and every gun. If you notice some internal powder residue on your pistol, it is because we deliberately leave it there as testimony to our quality control. The residue will not adversely affect your gun. There is no reason to clean it.

A question often asked is whether keeping a magazine loaded might over a period of time affect reliability. The answer is a simple no. More stress is put on a modern magazine spring in one shooting session than there is in keeping the magazine loaded over a period of years.

What is the lifetime of the LWS pistol? While it is true the larger .380 caliber will require more maintenance than the .32, we do not anticipate any gun wearing out beyond our ability to restore it to an as new condition.

Springs are elastic contrivances that store energy. The ability of a compression spring to store energy decreases when those springs are subjected to torsional stress greater than 40 to 60 percent of the minimum tensile strength of the spring wire. While the smaller caliber LWS .32 normally does not require new recoil springs during its life span, the recommendation is the LWS .380 recoil springs be replaced roughly every 250-300 rounds. Just as a bungee cord that has a life of at least 1000 jumps should be replaced well short of the lower safe limit, we suggest this as being well within the margin of safety.

The Secamp LWS, California Edition excepted, has no manual safeties. It is straight double action, and like a revolver requires a long trigger pull for every shot. The gun is safe before you pull the trigger and safe after you pull the trigger – the length of the trigger pull securing the gun against accidental firing. The California Edition has a cross bolt trigger safety that we feel elegantly and unobtrusively fulfills the requirements of those states that require manual safeties on semi-automatics.

CARE AND MAINTENANCE OF YOUR LWS

The LWS .32 & .380 are the smallest seven shot pistols of their respective calibers ever produced, yet they should handle as well as any automatic if given proper care and maintenance. It is extremely important that you read the instructions below before you pick up the firearm to check the action.

1. The magazine in any LWS has a very high feed (sits very high in the frame) relative to most automatics. For this reason, after the last shot has been fired, or when opening the action on an empty magazine, the slide will drag on the magazine follower – the magazine follower being the moveable piece that sits on top of the magazine inside the magazine body. The follower is not intended to be a slide stop – to hold the slide open after the last shot – though it can and sometimes does act that way. The follower drags on the slide simply because of the high position the magazine has in the frame, this is largely due to the miniaturization process. The proper procedure to follow when the follower engages the slide is **not** to force the action, but to drop the magazine after disengaging the magazine catch until the slide moves freely forward without assistance. Forcing the slide against the follower can damage the magazine. When shooting at the range we suggest fully loading the weapon with seven rounds, shooting six and leaving one in the chamber, and then reloading the magazine with six rounds to replenish the six that have been fired. This makes it easier to remove the magazine and will take stress off the follower. Keep the weapon pointed down range and follow all range safety procedures at all times. (Firing six instead of seven also gets you in the habit of saving one round for the unexpected, which is a good habit to get into and is the recommended self-defense posture of many experts.)
2. When you shoot your LWS, hold it firmly. A limp-wristed hold can cause the gun to jam, as is the case with any automatic having little mass to the frame. When the gun is fired, the slide recoils and takes the frame with it unless the frame is anchored. If the slide and frame are allowed to recoil together excessively, the slide will not go back far enough to reliably eject empty cases or pick up fresh rounds.

(In heavy framed automatics the inertial mass of the frame helps to anchor the frame when the firearm is discharged.)

3. The LWS .32 was originally designed exclusively to use Winchester Silvertip ammo. Since then other ammunition has been tested and approved for all calibers. Because the slide delaying system is designed for hollow points, the use of anything other than hollow point ammo can potentially damage your firearm.
4. Inspect your ammunition before use. Do not use cartridges that appear in some way out of the ordinary when you are loading up to carry. Check cartridges for burrs, unusual deformations and overall length. Line up the cartridges you are going to load, standing them up on a flat surface, so that you can run a quick visual inspection of height uniformity. Turn them around and check for case or bullet damage. (Our experience is that perhaps five rounds out of one thousand are absolute misfits, and that often a single box of ammo will have more than one bad cartridge in it.)
5. On loading the magazine, don't play with the rounds. Slide them straight until the top cartridge is all the way to the back of the magazine and then put the next round in. Avoid bobbing the noses of the bullets up and down since such bobbing causes the rims of the cartridges to abrade one another.

Heat treatable stainless steels are rust resistant, not rust proof. To further protect your firearm against corrosion, use the same care that you would use with a blued firearm. Lightly wipe it down with good gun oil. (Here at the shop, we use Eezox Premium Gun Care.)

To prevent galling or gummed action, the slide retainer and corresponding slot in the slide must be kept slightly lubricated. (Eezox is an ideal lubricant for this purpose since its effects are long lasting and it does not tend to pick up grit.)

The LWS .32 & .380 are designed specifically for hollow point cartridges. They both have a recessed ring in the chamber into which the case expands upon firing, making the firearm a delayed blowback via chamber ring. It is important to keep the chamber clean in order to fully benefit from this delaying mechanism. We strongly recommend cleaning the chamber every fifty or so rounds.

Stainless steel is known for retaining heat. When shooting, do not let the pistol get overly hot as material properties can be affected.

WARNINGS:

1. A gun is as safe or dangerous as the person who controls its use. Learn about your gun, its maintenance, and the rules of safe gun conduct. And above all, maintain control over your gun. Make it yours. The more people you tell about your gun, the less valuable it becomes to you as a defensive tool and the more dangerous it is to your own safety. If there is no reason for you to tell someone you own a gun for self-defense, then there is every good reason for you to keep that fact to yourself. Keep your defense posture private!!!
2. Always treat the gun as though it were loaded. Safe gun handling should become part of your second nature, so that any momentary lapse in concentration is covered for by deeply ingrained habits of safe conduct.
3. Never put your finger on the trigger of a gun unless you intend to pull the trigger. Until then, keep your fingers out of the trigger guard.
4. Do not point your gun at anything you do not wish to shoot. When handling a gun, make it habit to always be aware of the direction in which the muzzle is pointing. That is: As you handle a gun, ask yourself where a shot would go if the weapon were to discharge at that moment. Be sure there is no living thing ever at the end of that muzzle which doesn't belong there, including parts of your own body.
5. Never give up possession of a loaded gun. If you must hand over your gun to someone for inspection, completely unload it before it leaves your hands. If someone passes you a gun, on the other hand, never take his or her word that it is unloaded. Check for yourself. Always remove the magazine from an automatic before checking to see whether the chamber is empty.

6. Maintain control over your gun even when it is not immediately under your personal supervision. Reduce the possibility of unauthorized access by storing guns and ammunition separately, preferably under lock and key, but securely out of reach of children. In the case of the Seecamp LWS pistol, separate the magazine and gun whenever the gun is left unattended for however brief a moment, and be sure that the gun is completely unloaded – with magazine, pistol and ammunition stored separately during longer periods of unattendance. Remember also that visibility invites unauthorized use. (Important see NOTE under UNLOADING procedure for instructions on how the magazine safety operates. Do not assume you know how our magazine safety works because you are familiar with other guns.)
7. Before using a firearm. Check the barrel to see that it is free from obstructions. Clean the weapon after use.
8. Do not use reloaded ammunition or ball ammunition, but **USE ONLY CLEAN AND DRY AMMUNITION**. Do not oil a gun that is loaded, as some types of oil will penetrate the primer (detonator) of a cartridge and may cause failure to discharge.
9. Be sure of your target when you shoot, and also take into account the possible consequences of an errant shot. A safe backdrop is therefore important.
10. Do not shoot at water or at hard, flat surfaces as a ricochet may substantially alter the course of the bullet.
11. Wear ear protection and eye protection when shooting.
12. In the event of a misfire, wait thirty seconds before emptying the chamber of a misfired round, keeping the gun pointed down range. If the primer print is not smaller than usual discard the round as per the ammunition manufacturers' instructions. If the print is weak, have a qualified gunsmith examine the gun.

RECOMMENDED AMMUNITION FOR YOUR LWS:

LWS .25: Most .25ACP, no aluminum casings, can use both JHP or FMJ.

LWS .32/.380: For an up to date listing of recommended ammunition please visit our website at www.seecamp.com.

DO NOT USE ANY BALL AMMO IN YOUR LWS .32 or .380, HOLLOW POINTS ONLY! It is always good practice to familiarize yourself with a defense pistol by test firing it using ammo for carry from the same lot number you were shooting at the range. It is better to shoot 43 from a box and load the last seven for carry than to shoot 200 or 2,000 and then load personal protection ammunition from an entirely different production lot. That is about the same thing as buying two identical firearms and test firing one to check out the reliability of the other. Neither approach makes sense.

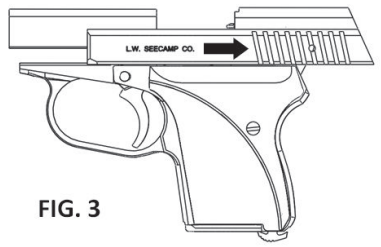
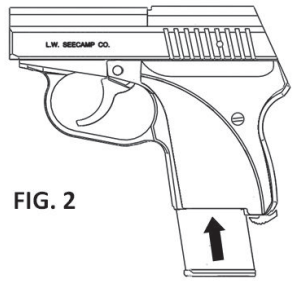
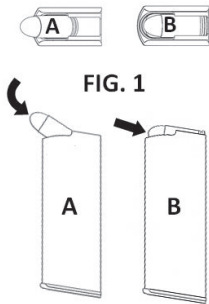
Is .32ACP/.25ACP really adequate for self-defense?

.32 ACP pistols were once used extensively by police and military in countries like Spain, Belgium, France, Finland, Germany and the U.S.A.. In WWII, American generals were issued .32ACP Colt M1903 pistols for carry. As to stopping power, statistics show shot placement trumps caliber every time. It's more conducive to good health to be shot in the foot with a .44 magnum than in a vital zone with a .22 or .25.

If shot placement is so important, why no sights?

An exhaustive NYPD report (NYPD SOP 9) revealed that in 70% of recorded police shootings (the majority under poor lighting conditions) officers did not use sights, while 10% of the time officers did not remember whether sights were used. In the remaining 20% of the cases, officers recollected using some form of visual aid to line up the target, which could have been the sights themselves or just the barrel.

The NYPD study showed no correlation between an officer's range scores and his ability to hit a suspect at close range. The mean score for NYPD police officers (1990-2000) for all shootings is fifteen hits per 100 shots fired, which is almost the identical hit ratio seen among Miami officers, who in the years 1990-2001 fired some 1,300 rounds at suspects while recording fewer than 200 hits. Almost unbelievably, NYPD statistics for 1994-2000 showed 62% of the shots fired at a distance of less than six feet (the distance involved in 69% of the documented 1,719 shooting incidents) were complete misses. The 1988 US Army training manual for pistols and revolvers [FM 23-35], in apparent recognition of the disconnect between sighted shooting at the range and the ability to score hits in combat, thus wisely calls for point shoot training at a distance of less than fifteen feet or under poor lighting conditions. The ability to shoot targets at 25 yards using sights sadly provides little to no advantage in close combat. As for that extra magazine reload speed: the empirical evidence clearly demonstrates no reloads occur, nor are they required, during short-range combat.



LOADING: (Figs. 1 thru 4)

1. Insert cartridge into magazine as shown in A and B of figure 1.
2. Insert magazine into magazine well of pistol as shown in figure 2.
3. Retract the slide as shown in figure 3. Upon release of the slide, the round will enter the chamber of the barrel. Do not help the slide forward, simply draw the slide all the way to the rear and release.
4. Remove magazine as shown in figure 4. (Hold the weapon in your shooting hand as if to fire, with your fingers out of the trigger guard and the gun pointed in a safe direction. Extend the fingers of your shooting hand, keeping the gun securely grasped between your thumb and palm and face the palm of your hand up. With the free hand, use your thumb to pivot the magazine catch to the rear and your forefinger to pull the magazine down and out of the magazine well. NOTE: keep the gun pointed in a safe direction **AT ALL TIMES**. Do not put fingers or any part of your own body in front of the muzzle.)
5. Load the magazine with six cartridges.
6. Insert the loaded magazine into the magazine well of the pistol. Being sure that the retaining lip of the magazine catch is securely locked underneath the rear of the magazine.

FIG. 5

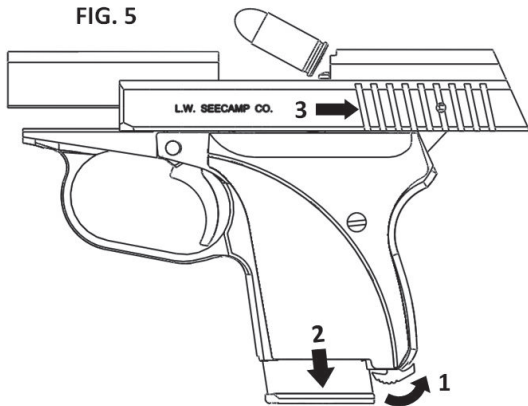
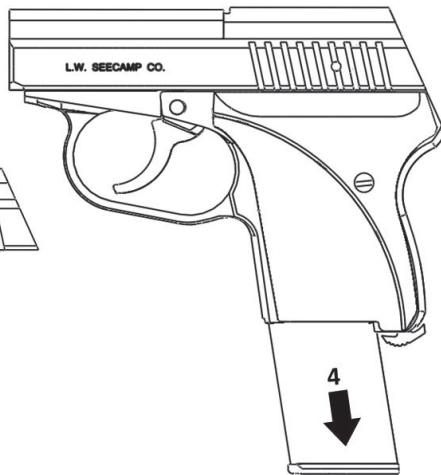


FIG. 6

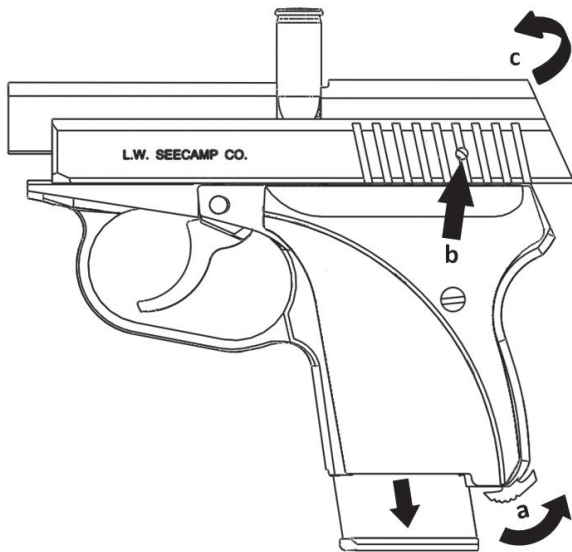


UNLOADING: (Figures 5 and 6)

1. Pivot the magazine catch to the rear.
2. The magazine will drop down a small distance when the magazine catch is pivoted to the rear.
3. Retract the slide as shown in figure 5. By drawing the slide back, this will extract the round and in turn clear the chamber.
4. Completely remove the magazine
5. Retract the slide for a visual confirmation that the chamber is indeed empty. (The slide will retract far enough to allow for such visual inspection with the magazine removed.

NOTE: When the magazine is removed, the gun cannot be fired by pulling the trigger and the slide cannot be retracted far enough for a feed cycle. If there is a round in the chamber and the magazine has been removed, a child can thus neither pull the trigger to fire the gun nor gain access to that live round for potential play which might result in a detonation. Additionally, the slide blockage deters the type of slide manipulation and manual chambering and extraction of ammunition which could have disastrous consequences. We believe our gun is as safe as a gun can be made, and strongly urge those safety features it incorporates be used to their ultimate advantage. Remove the magazine whenever the gun is left unattended for however brief a moment, and completely unload the weapon – empty the chamber, magazine removed – whenever the weapon is unattended for a significant period of time. Store ammunition, gun and magazines separately.

FIG. 7



FIELD STRIPPING: (Figure 7)

1. Follow the 5 step UNLOADING procedure.
2. Retract the slide and insert a cartridge, bullet end facing down, in the open space between the slide and frame as shown. Release slide. (Magazine may have to be reinserted to allow sufficient slide movement.
3. Insert a 3/32" pin into the slide hole indicated by arrow B and depress a spring loaded slide retainer plunger situated in the frame at the hole area.
4. Simultaneous with 3, lift the slide up at the rear as indicated by arrow C.
5. Holding the rear of the slide upwardly, move the slide forward to separate it from the frame.

FIG. 8



REASSEMBLY: (Figure 8)

1. Draw back the hammer slightly so it engages the draw bar. Release hammer.
2. Position the slide as shown in figure 8. **Double end of recoil spring assembly goes into the frame.**
3. **With empty magazine in gun and empty chamber, pull trigger slightly to cock hammer out of way of projected slide path. Hold draw bar down against trigger until slide captures bar.**
4. Pull upwardly and rearward on the back of the slide until the slide clears the frame. Then pivot the rear of the slide downwardly.
5. When the slide touches the slide retainer plunger indicated by arrow C, release the trigger – continuing to press downwardly at the rear of the slide.
6. Depress the slide retainer plunger at arrow C to allow the slide's movement past said retainer plunger.
7. Exerting downward pressure at the rear of the slide, wiggle the slide frontward and backward to lock the slide into place.
8. Pull up on the rear of the slide to ensure that it is indeed locked into place.

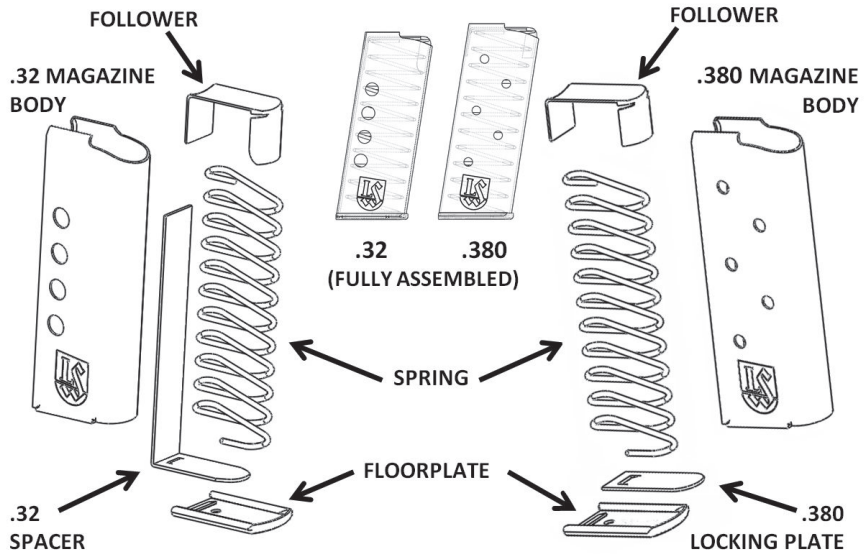


FIG. 9 Magazine-.32

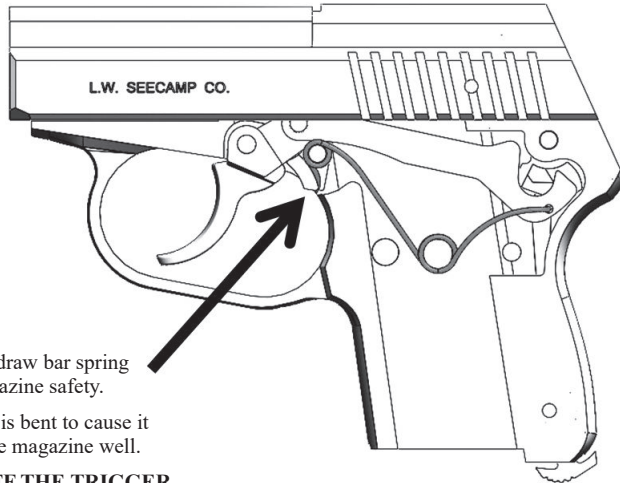
FIG. 10 Magazine-.380

MAGAZINE DISASSEMBLY

1. Depress button protruding through the hole in the floorplate and slide the floorplate off towards the front of the magazine. Be mindful of spring decompression once the floorplate is removed.

MAGAZINE REASSEMBLY

1. Insert the follower as shown. The high end of the magazine spring should be towards the rear of the follower, contrary to what one might think this should be the case.
2. Compress the spring to allow installation of the floorplate. Slide the floorplate halfway into position – just enough to hold the spring compressed.
3. Install the spacer, on the LWS .32 make sure to slide it between the back inside wall of the magazine and the back of the spring. **Make sure the top of the spacer slides behind the follower and not under it.**
4. Holding the bottom of the spacer to keep the spring compressed, slide the floorplate off to let the bottom of the spacer clear and then slide it all the way on, with the spacer held captive by the floorplate.
5. Depress the follower with the back of a pencil to ensure that the unit is assembled correctly.



The short leg of the draw bar spring goes behind the magazine safety.

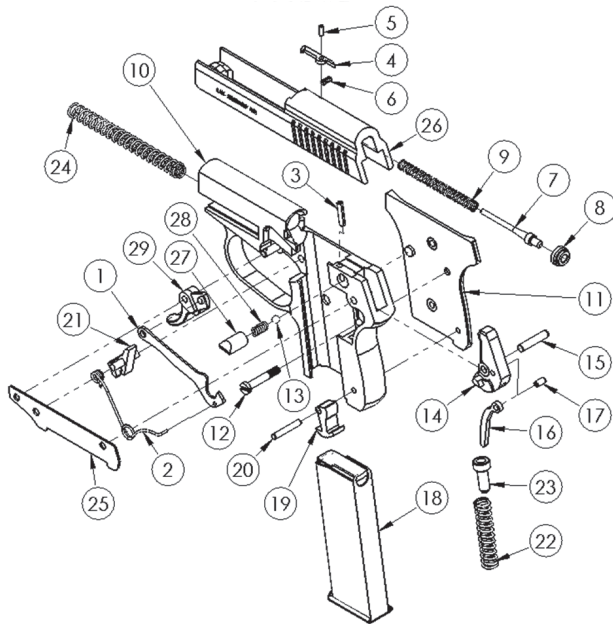
The draw bar spring is bent to cause it to ride away from the magazine well.

**KEEP FINGER OFF THE TRIGGER
WHEN REMOVING THE MAGAZINE.**

When the magazine is removed and the trigger is in the full forward position, the magazine safety pivots behind the trigger to block trigger movement.

Applying even the slightest pressure to the trigger while removing the magazine prevents the safety from functioning properly. It cannot pivot to block the trigger when the trigger is moved to a position in which the safety is prevented from rotating. When pressure is applied to the trigger upon magazine removal, it is the trigger that blocks the magazine safety rather than vice versa.

Consequently, the trigger can now be pulled with the magazine removed. Since the magazine supports the firing mechanism internally, pulling the trigger with the magazine removed causes the mechanism to collapse towards the inside of the firearm. In this condition attempting to insert the magazine will result in damage to the draw bar spring, which is the spring that operates the trigger, draw bar as well as the magazine safety.



Parts List

Part Number	Name
1	Draw Bar
2	Draw Bar Spring
3	Ejector
4	Extractor
5	Extractor Pin
6	Extractor Spring
7	Firing Pin
8	Firing Pin Stop
9	Firing Pin Spring
10	Frame
11	Grip
12	Grip Screw
13	Ball Bearing
14	Hammer
15	Hammer Pin
16	Hammer Strut
17	Hammer Strut Pin
18	Magazine
19	Magazine Catch
20	Magazine Catch Pin
21	Magazine Safety
22	Mainspring
23	Mainspring Cap
24	Recoil Spring Assembly
25	Side Plate
26	Slide
27	Slide Retainer
28	Slide Retainer Spring
29	Trigger



LWS-25 / LWS-32 / LWS-380

Caliber: .25ACP / .32ACP / .380ACP

Capacity: 6+1

Operation: Straight double action (trigger cocks hammer for each shot)

Action: Semi-automatic delayed blowback design

Sights: None, Smooth snag-free top

Safeties: Magazine safety

Overall Length: 4 ¼ inches

Overall Height: 3 ¼ inches

Width: 9/10 of an inch

Weight Unloaded: 11.5 ounces

Construction: Predominantly stainless steel, where advised, select parts such as springs are of appropriate non-stainless steels.

Grips: Fully machined G10

INSTRUCTION AND SAFETY MANUAL

LWS-25 / LWS-32 / LWS-380

Do Not Discard This Manual



Check us out on:

Facebook 

Instagram 

Twitter 

@LWSeecamp

seecamp.com

WARNING CONCERNING LEAD AND LEAD COMPOUNDS - The discharge of firearms in poorly ventilated areas, cleaning firearms or handling ammunition may result in exposure to lead or lead compounds. Lead is known to cause birth defects, reproductive harm and other serious physical injury. Have adequate ventilation at all times and wash hands thoroughly after cleaning firearms or handling ammunition.